

Phone: 13131839006

E-mail: sale@temporaryfence.cn

Wechat: 13131839006

Whatsapp: +86 13131839006

Address: 500 meters west of Daziwen Village, Daziwen Town, Anping County, Hengshui City, Hebei Province



Wechat



Whatsapp



Hebei Lanshuo Metal Products Co., Ltd.



Hebei Lanshuo Metal Products Co., Ltd.

Lanshuo

Construction Site Safety Protection Fence System Solution

Original Manufacturing, Stable And Reliable

Protection

www.edgeprotectionfence.cn

Lanshuo

We Not Only Provide Products, But Also Practical Safety Protection Solutions.

- **Quality Commitment**

All Products Are Designed And Manufactured According To Actual Site Usage Standards, Ensuring Robust Structure And Long-Term Reliability.

- **Delivery Commitment**

Standardized Production Processes Ensure Stable Delivery Times And Prevent Project Delays.

- **Service Commitment**

We Provide Selection Advice, Installation Guidance, And After-Sales Support To Reduce Customer Operating Costs.

- **Long-Term Cooperation Commitment**

We Adhere To A Long-Term Perspective, Avoiding One-Off Transactions, And Working With Customers To Ensure Construction Safety.





CONTENTS

01 ABOUT US Page 1

02 BARRIER Page 2-3

03 SQUARE TUBE Page 4

04 ROUND TUBE Page 5

05 Lock Page 6-7

06 Partial Product Display Page 8

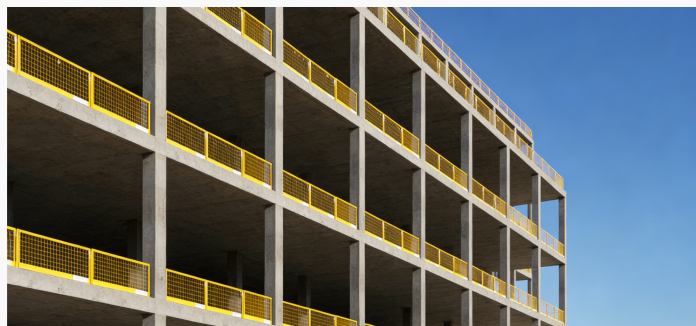


Hebei Lanshuo Metal Products Co., Ltd.

Lanshuo Protective Netting, established in Hebei Province, China, is a modern protective netting manufacturing enterprise integrating R&D, production, sales, and installation. The company boasts a modern production base and has introduced internationally advanced automated production lines.

Based on its mature metal processing industry foundation, the company has continuously introduced internationally advanced automated production lines and testing equipment, and established a complete quality control system from raw material selection, structural design, production and manufacturing to finished product inspection.

- Source manufacturing
- Automated production
- safety protection



- Lanshuo prioritizes engineering safety and adheres to stable and durable standards, committed to providing high-strength, standardized, and quickly installable safety protection solutions for construction sites, municipal engineering projects, industrial parks, and large-scale construction sites.

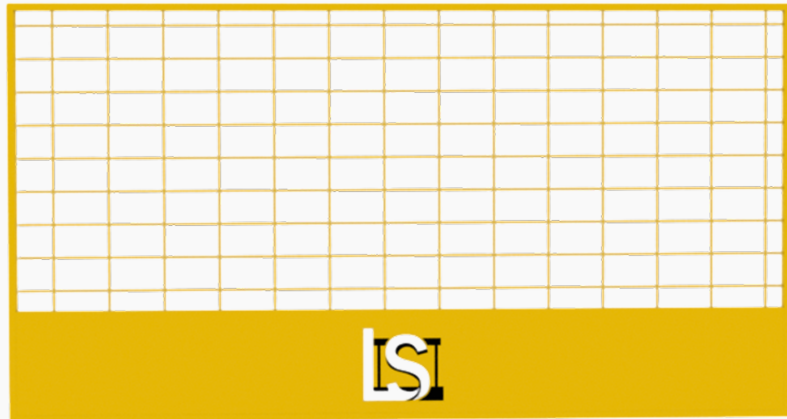
- Our solutions are designed to create safe zones for employees and the public, enabling them to work in a safe environment and reducing the dangers workers face daily on construction sites.

With stable product quality, flexible customization capabilities, and a reliable delivery system, Lanshuo safety netting has become a long-term partner for numerous construction companies and engineering projects.



LOW NET

- High-strength structure
- Stable Protection
- Long-Term Durability



*Available in a variety of colors

- Customizable logo
- Multiple sizes available / Customizable

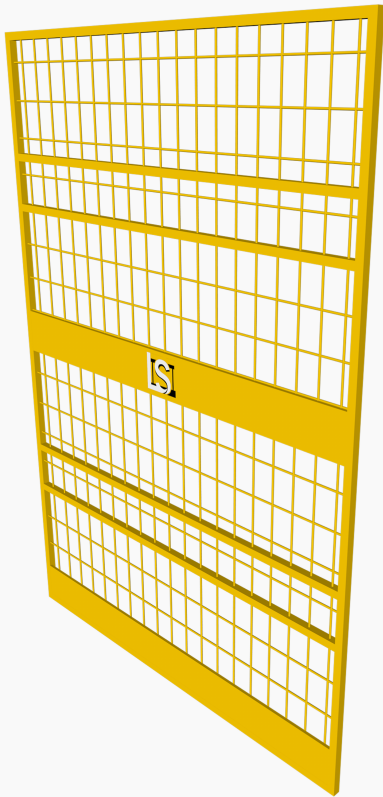


Edge guardrails – designed to maximize safety and prevent objects from falling. These guardrails are used to protect building edges, openings, and areas with a risk of falls from height.

Standard data

LENGTH	HIGH	MESH THICKNESS	NETWORK DENSITY
2500mm	1060mm	4.2mm	75mm x 150mm
2000mm	1060mm	4.2mm	75mm x 150mm
1500mm	1060mm	4.2mm	75mm x 150mm
1250mm	1060mm	4.2mm	75mm x 150mm
1000mm	1060mm	4.2mm	75mm x 150mm

Special sizes are available for order.

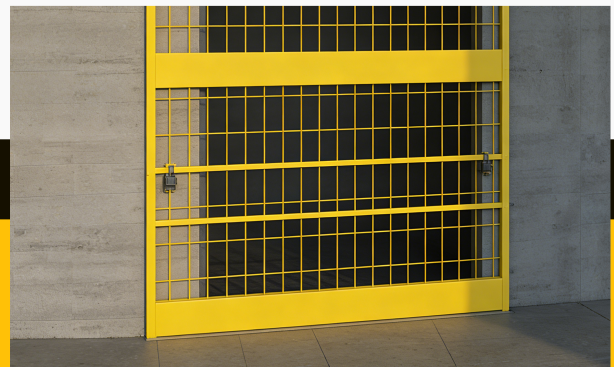
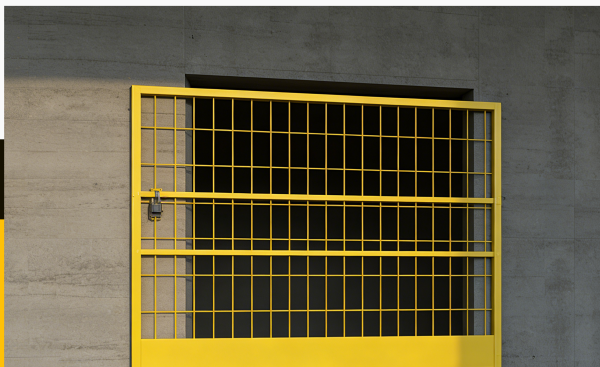


HIGH NET

- Customizable logo
- Multiple sizes available / Customizable
- High-strength structure
- Stable Protection
- Long-Term Durability



*Available in a variety of colors



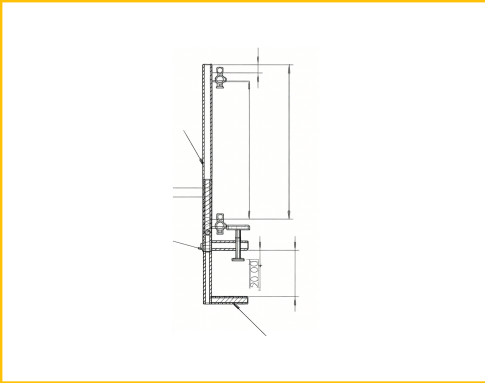
Edge guardrails – designed to maximize safety and prevent objects from falling. These guardrails are used to protect building edges, openings, and areas with a risk of falls from height.

Standard data

LENGTH	HIGH	MESH THICKNESS	NETWORK DENSITY
1500mm	2200mm	4.2mm	75mm x 150mm
1700mm	2200mm	4.2mm	75mm x 150mm

*Special sizes are available for order.





SIDE CLAMP COLUMN

Technical specifications:

- Height:1345 mm
- Dimensions:50/50/2 mm
- Internal profile: 40/40/2 mm
- The maximum opening can reach 500 mm.
- Two locks
- Made of galvanized metal
- No drilling is required for quick installation
- removal using threaded rods.

STIFF LEG

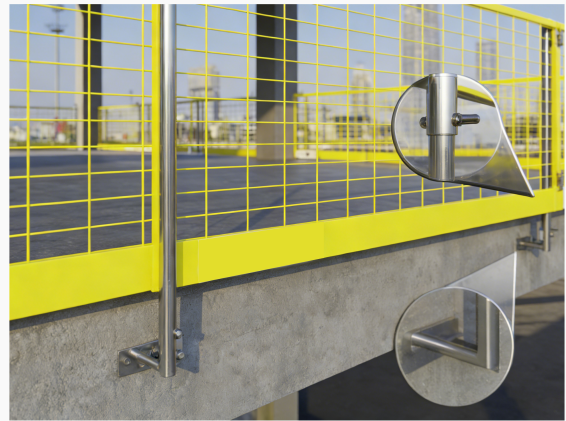
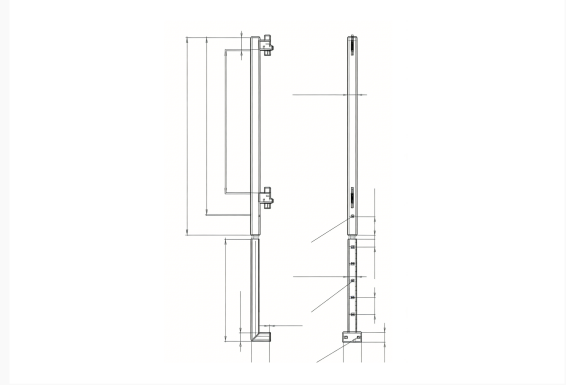
Technical specifications:

- Height:1070 mm
- Profile:40/40 mm
- Wall thickness: 1.5 mm
- The maximum opening can reach 500 mm.
- Two locking clips
- Made of galvanized metal
- Connection via clamping mechanism
- Quick-lock latches can be installed on Duka wood for locking and unlocking the barrier.

MEAN LATERAL INSTALLATION COLUMN

Technical specifications:

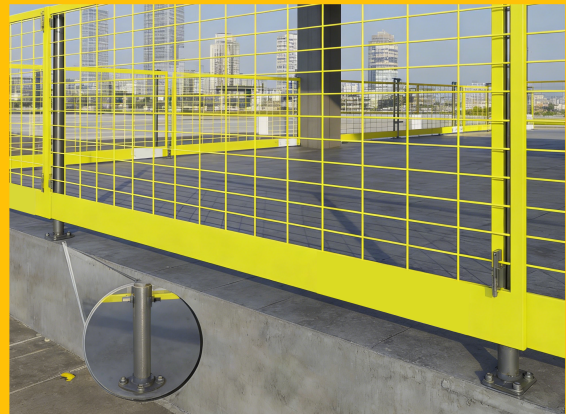
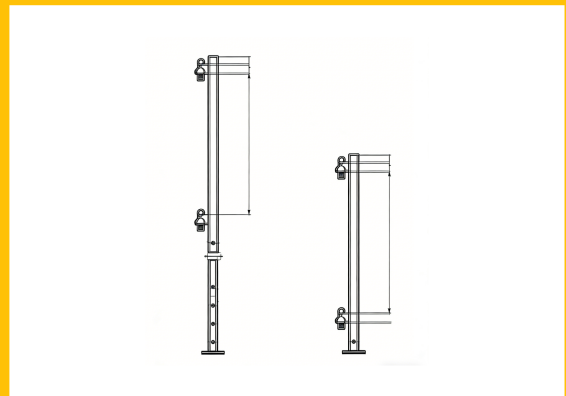
- Height:1345 mm
- Dimensions:50/50/2 mm
- Internal profile: 40/40/2 mm
- Two locks
- Made of galvanized metal
- Can be used for quick installation and removal.
- Tap without drilling

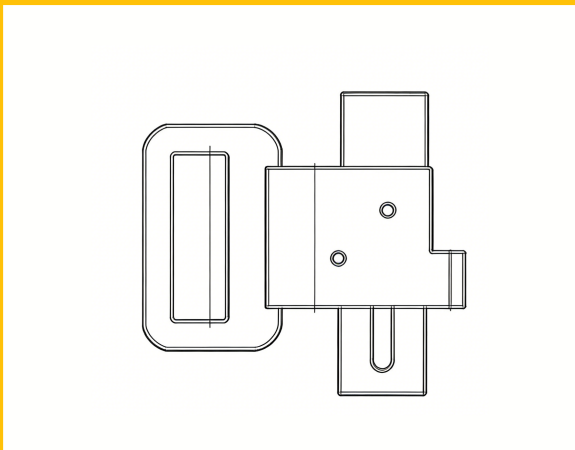


ADJUSTABLE ELITE MOUNTING ROD

Technical specifications:

- Height:1070-1400 mm
- Outer tube: 48 mm in diameter
- Inner tube: 42 mm in diameter
- Wall thickness: 1.5 mm
- two locking clips
- Made of galvanized metal
- Attached to concrete via anchor bolts
- The column can be raised and lowered as needed; it is used for locking and unlocking quick-release latch.





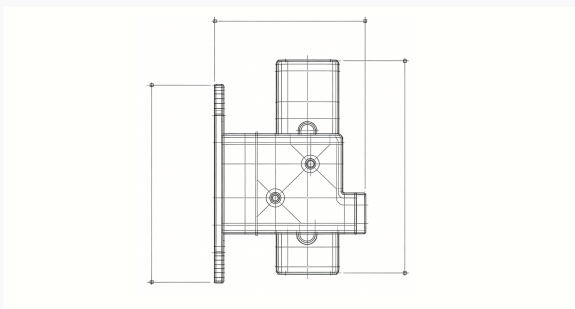
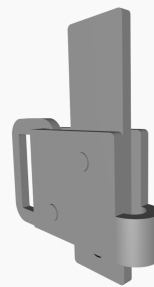
CORNER ADAPTER

Technical specifications:

- Wall thickness: 4mm
- Made of galvanized metal
- Attached to obstacle pole

Product advantages:

- Save the checkpoint and create the corner.



WALL ADAPTER

Technical specifications:

- Wall thickness: 4mm
- Made of galvanized metal
- For Hanging Guardrails
- On The Wall

Product advantages:

- Can be quickly disassembled.



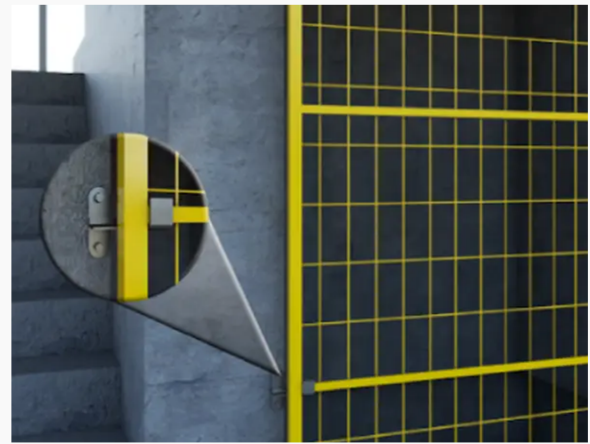
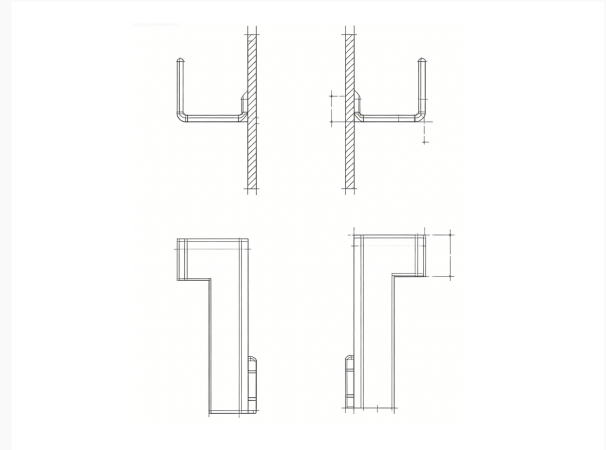
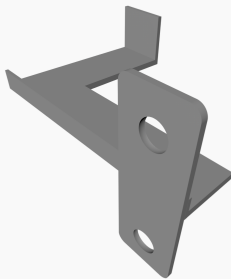
EXTERNAL ADAPTER

Technical specifications:

- Wall thickness: 4mm
- Made of galvanized metal
- For hanging barriers on walls
- right sum left

Product advantages:

- It can be quickly disassembled. It is installed on the outside of the wall using anchor bolts.



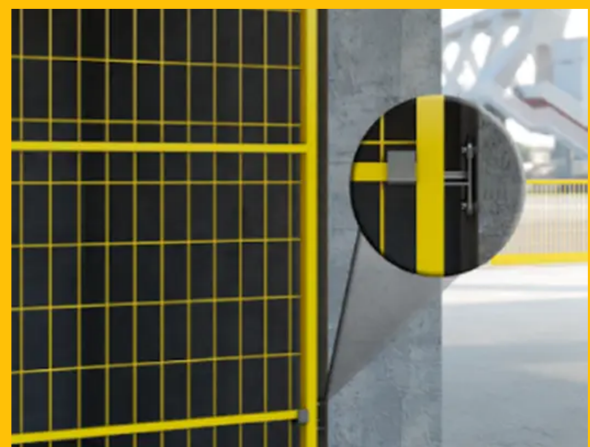
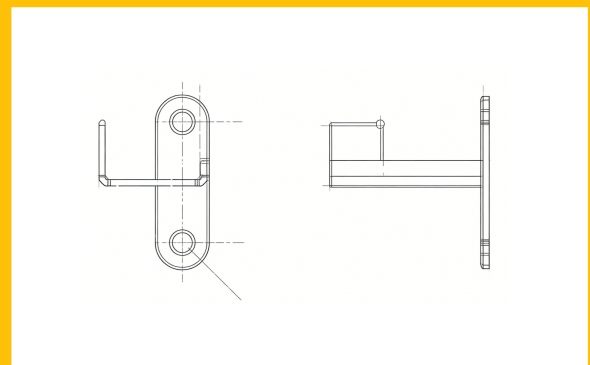
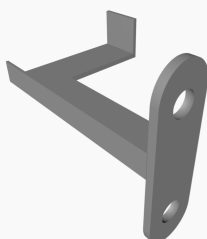
INTERNAL ADAPTER

Technical specifications:

- Wall thickness: 4mm
- Made of galvanized metal
- For hanging barriers on walls
- Right sum left

Product advantages:

- It can be quickly disassembled.
- Assembled via internal anchors.



PARTIAL PRODUCT DISPLAY

